

NEW! Interchangeable, Maintenance-Free Vacuum Cartridges Quickly Replace Failed Multi-Stage Pumps

Let Vaccon replace your clogging pumps and forget about maintenance!

Vaccon's RTM Series™ cartridges and pumps are designed to replace failed or clogged multi-stage pumps to maximize productivity and minimize downtime. RTM cartridges thread directly into existing multi-stage vacuum pumps and vacuum grippers for immediate, reliable, trouble-free operations.

Rugged/simple design: Vaccon's single-stage design features a straight-through design with no moving parts to clog or wear out.

Saves money: Vaccon pumps never lose suction or require costly filters, vacuum cup screens or maintenance.

Maximizes productivity: RTM high performance Mid Series cartridges operate continuously without maintenance, eliminating downtime, increasing productivity and improving profitability.

Quick installation: Simply remove the threaded multi-stage cartridge and screw-in the Vaccon RTM single-stage replacement unit. Pump units can be exchanged in minutes in many cases.

Ideal Applications:

- Packaging – carton erecting, robot palletizing, bag/box opening
- Pick and place for applications requiring accurate part placement of small to medium objects
- End-of-Arm-Tooling/Robotic systems
- Automated assembly
- Material handling
- Vessel evacuation
- Vacuum clamping and holding fixtures

Features and Benefits:

- Interchangeable cartridges allow you to quickly upgrade performance when your needs change
- Compact and lightweight – modular pump design speeds installation and minimizes assembly
- Easy mounting – fractional and metric T-slot compatible
- Fast response – installs close to vacuum point, no delay due to long plumbing lines
- Safe operation – no electricity required at pump
- Trouble-free operation – no flap valves to clog or stick open
- Economical – efficient air consumption



RTM Series Threaded Vacuum Cartridges

RTM Series Vacuum Pumps

Reliable, Tough, Maintenance-Free

Ideal for small part pick and place for applications: automated assembly, robotics, and packaging – vessel evacuation – vacuum clamping / holding fixtures.



Multi-Stage Pump with RTM Cartridge Installed



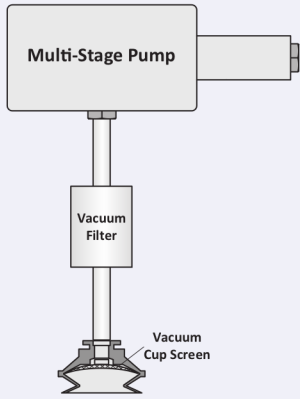
RTM Pump Face Mounted



RTM Pump Top Mounted

Product Announcement: RTM Venturi Threaded Vacuum Cartridges & Modular Vacuum Pumps

Maintenance / Repair Cost Comparison:



Multi-Stage Vacuum Cartridge

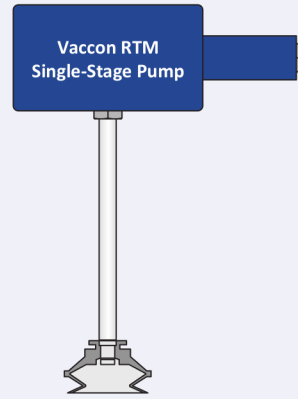
- Operates with flap valves
- Requires filters and screens to protect flap valves
- Flap valves clog
- Requires maintenance to clean or replace
- **Ongoing maintenance costs**

Vacuum Filter

- Requires maintenance to clean or replace
- **Ongoing maintenance costs**

Multi-Stage Vacuum Cup

- Requires screens
- Requires maintenance to clean or replace
- **Ongoing maintenance costs**



Vaccon RTM Vacuum Cartridge

- No flap valves
- No filters, no screens required
- No clogging
- No maintenance
- **No additional costs**

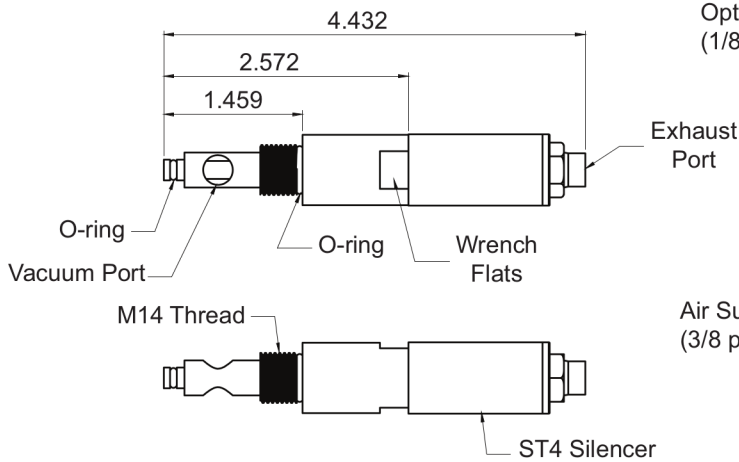
No Vacuum Filter

- **No additional costs**

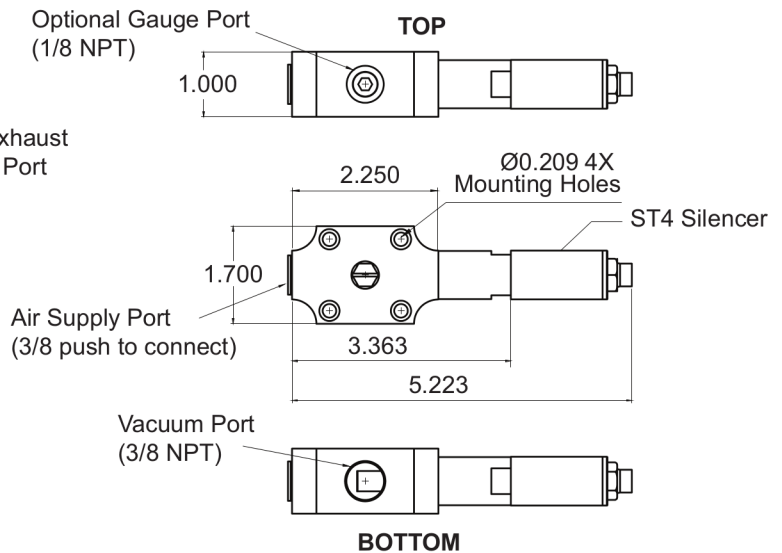
RTM Vacuum Cup

- No screen required
- No maintenance
- **No additional costs**

RTM VACUUM CARTRIDGE



RTM VACUUM PUMP



Pump Options:

- Available as threaded vacuum cartridges or full pump units
- 11 different performance levels: vacuum flows up to 3.2 SCFM [90.6 LPM] and vacuum levels up to 28" Hg [948 mbar]
- Vacuum gauges, switches and sensors for parts presence and vacuum level detection
- 1.5" [40 mm] extrusion mounting kits: top or face orientations
- Vacuum cups in a wide range of styles and sizes
- Imperial (3/8 NPT) and metric (G 1/4) vacuum port threads